

FRITZ HANSEN

Fritz Hansen Clam Pendant

LA10445

SOURCE: <https://www.davidvillagelighting.co.uk/product/Fritz-Hansen-Clam-Pendant/10000166>

PRODUCT DESCRIPTION

Designer: Ahm & Lund

Fritz Hansen Clam Pendant

The Fritz Hansen Clam light was designed by Ahm & Lund who say their designs have a contemporary take on lighting with a timeless feel. This can be seen in their new design, the Clam, which features an opal glass pendant that effortlessly opens to reveal a luminescent pearl of light. This unique design was the winner of 'Denmark's Next Classic' for its remarkable form and mood-enhancing ambiance.

The shell-like shade is a delicately mouth blown opal of glass which is individually made, meaning that each lamp is completely unique. This has come from the designer's belief in meaningful products with deep material understanding. The opal glass also creates a glare free, ambient light which is perfect for a dining room or office space. The unique sculptured form also includes stunning brushed brass fittings which add a sense of elegance to the lamp, such as the brass canopy which is included in the product.

This timeless pendant light opens and closes effortlessly to allow you to customise the lamp by directing and diffusing the light with ease. By loosening the brass knob at the bottom of the shade, the lower glass shade slowly lowers in your hands to reveal the light inside. The design excellence and skilled craftsmanship that goes into each individual ceiling lamp defines Fritz Hansen perfectly.

PRODUCT SPECIFICATION

Light Source: 1 x Max 60W E27 (excluded)

IP Code: 20

Dimming: Dimmable via mains phase dimming.

Dimensions: **Ø440**

Shade: Ø44cm

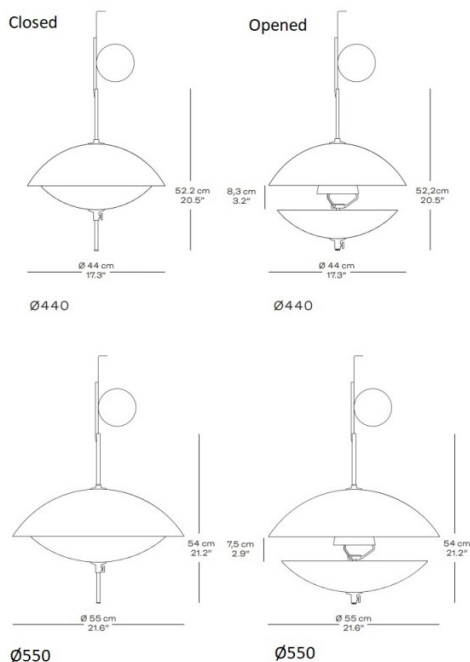
Height: 52.2cm

Ø550

Shade: Ø55cm

Height: 54cm

Cable Length: 600cm





For all sales and technical enquiries, please contact:

+44 (0)114 263 4266

info@davidvillagelighting.co.uk

www.davidvillagelighting.co.uk