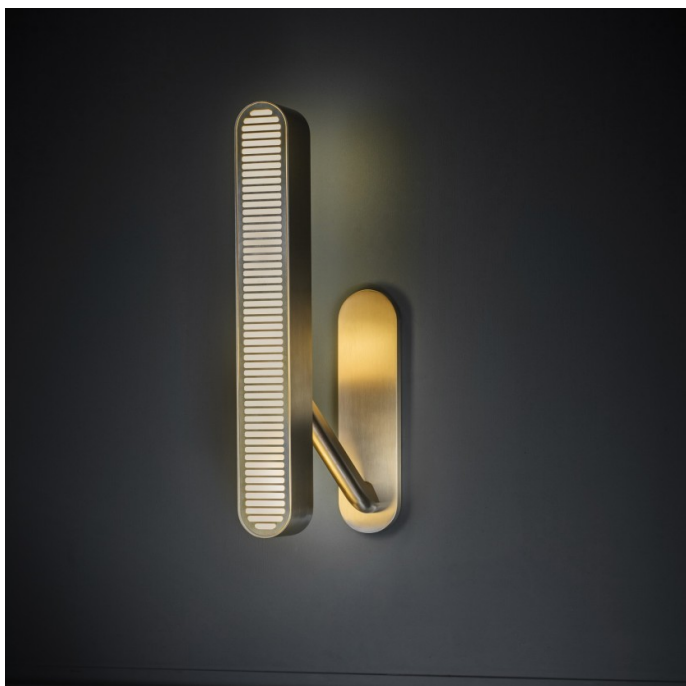


BERT | FRANK

Bert Frank Colt Single LED Wall Light

LA10433/SW

SOURCE: <https://www.davidvillagelighting.co.uk/product/Bert-Frank-Colt-Single-LED-Wall-Light/10000142>



PRODUCT DESCRIPTION

Designer: Bert Frank Design Team

Colt Single LED Wall Light by Bert Frank

The Colt Single wall light has an asymmetric look, maintaining the Bert Frank aesthetic that upholds subtle quirkiness. The wall lamp is made from brushed brass and features a grill pattern that is inspired by British engineering and vintage cars. It also features an arm that is angled, holding the lampshade either to the left-hand side or the right-hand side.

The two versions means you can find the right fit for your space depending on the orientation of your interior or you could even buy both versions to have as a pair on the wall. Useful for offices, bedrooms, dining rooms, hallways and more, the Colt Single wall lamp will add a classic touch whilst providing an effective and diffused glow.

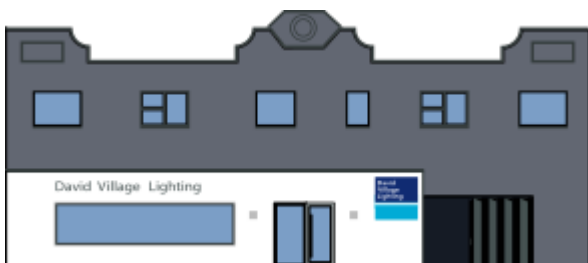
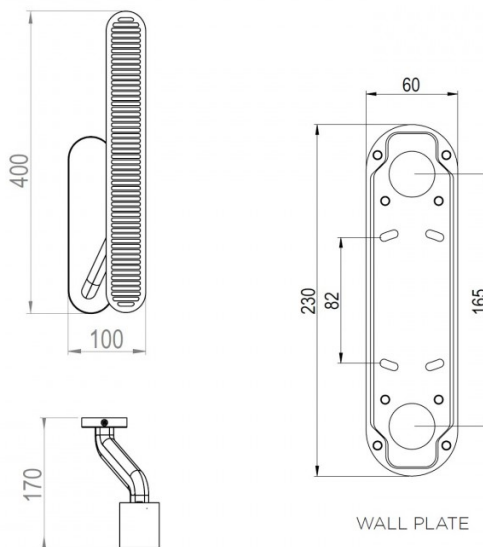
PRODUCT SPECIFICATION

Light Source: 15.5W, 2700K

IP Code: 20

Dimming: Dimmable via mains phase dimming.

Dimensions: Height: 40cm
Width: 10cm
Depth: 17cm
Wall Base Height: 23cm



For all sales and technical enquiries, please contact:

+44 (0)114 263 4266

info@davidvillagelighting.co.uk

www.davidvillagelighting.co.uk