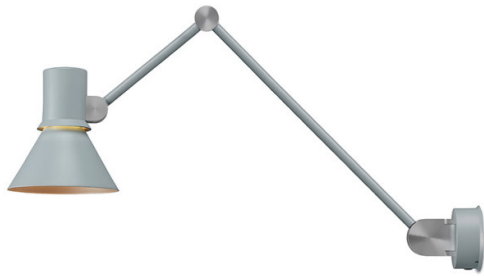


ANGLEPOISE®

Anglepoise Type 80 W3 Wall Light

LA10205/W3

SOURCE: <https://www.davidvillagelighting.co.uk/product/Anglepoise-Type-80-W3-Wall-Light/10000019>



PRODUCT DESCRIPTION

Designer: Sir Kenneth Grange

Anglepoise Type 80 W3 Wall Light

The Type 80 W3 Wall Light was created by British designer and Anglepoise Design Director, Sir Kenneth Grange. Characterised by a clean aesthetic and distinctive silhouette, the W3 Wall Light boasts a timeless appearance that complements a wide range of interiors. The long arm comprises of three connecting joints for precise angular articulation and the flexibility expected of an Anglepoise design.

When switched on, the Type 80 W3 Wall Light offers a direct beam of light that can be easily positioned for focused tasks or adjusted to illuminate a wall for a warm, ambient glow. The signature halo of light that escapes the shade creates an ornamental element, softening the lamp's appearance. The Type 80 W3 Wall Light is available in two matte finishes and as a hardwired or cable-and-plug version. Display individually or in pairs for an elegant lighting solution that will enhance the space around it.

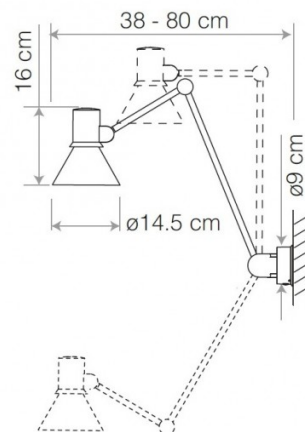
PRODUCT SPECIFICATION

Light Source: 1 x Max 6W E27 LED (Included)

IP Code: 20

Dimming: Integrated on/off switch on the product.

Dimensions: Shade: Ø14.5cm
Shade Height: 16cm
Maximum Reach: 80cm
Wall Mount: Ø9cm
Cable Length: 250cm





For all sales and technical enquiries, please contact:

+44 (0)114 263 4266

info@davidvillagelighting.co.uk

www.davidvillagelighting.co.uk