

Artemide

Artemide Look At Me LED Cluster Pendant

LA10399/C

SOURCE: <https://www.davidvillagelighting.co.uk/product/Artemide-Look-At-Me-LED-Cluster-Pendant/10000004>



PRODUCT DESCRIPTION

Designer: Alida Catella & Silvio De Ponte

Artemide Look At Me LED Cluster Pendant Light

Artemide Look At Me LED Cluster Pendant Light is a suspension composition whose focal point is the geometry and effect of the diffuser. Designed by Alida Catella and Silvio De Ponte, it is available in the Look at Me Cluster 21 and Look at Me Cluster 35 versions, both in a black finish.

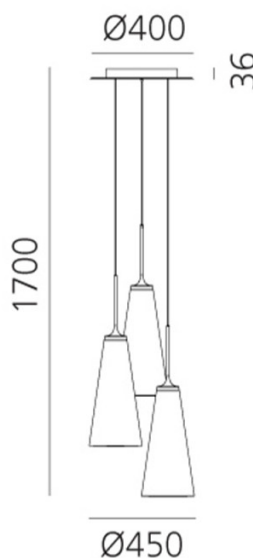
Two lenses are placed at the two ends of each diffuser to guarantee maximum efficiency and luminous comfort. The light emitted by the LED source is controlled inside the cone, and rather than passing fully through the black shade, it is cut into a stepped profile to animate it with lines of light, creating a uniquely diffused 3000K warm white output.

Artemide Look At Me LED Cluster Pendant Light is available with Push and APP control, and the three-pendant composition gives it a stronger presence than the single suspension while keeping the same precise, controlled emission. Best suited for dining tables, stairwells, kitchen islands, and other interior settings where a clustered suspension can bring controlled light and a more graphic focal point.

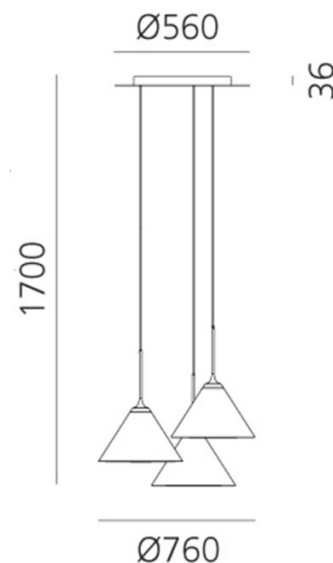
PRODUCT SPECIFICATION

Light Source:	Look At Me 21 Cluster: 50W, 3000K, 1381 Lumens Look At Me 35 Cluster: 50W, 3000K, 1905 Lumens
IP Code:	20
Dimming:	Dimmable via the Artemide App or Push to make/switch dimming, dimmable using push to make switches. Please consult your electrician, additional wiring may be required on site.
Dimensions:	Look At Me 21 Cluster: Shade Cluster: Ø45cm Ceiling Canopy: Ø40cm Cable Length: 170cm Look At Me 35 Cluster: Shade Cluster: Ø76cm Ceiling Canopy: Ø56cm Cable Length: 170cm

Look At Me 21 Cluster



Look At Me 35 Cluster





For all sales and technical enquiries, please contact:

+44 (0)114 263 4266

info@davidvillagelighting.co.uk

www.davidvillagelighting.co.uk