

marset

# Marset Funiculi S Fabric Table Lamp

LA5526

SOURCE: <https://www.davidvillagelighting.co.uk/product/Marset-Funiculi-S-Fabric-Table-Lamp/19192>

## PRODUCT DESCRIPTION

Designer: Lluís Porqueras

### Marset Funiculi A Fabric Table lamp

From Lluís Porquera's original 1979 design, Funiculi had a fabric coned diffuser to create a warm and mood-setting ambiance as well as a functional downlight. Porqueras was known for his minimal and utilitarian aesthetic, stripping back everyday objects to their most basic function. Marset has reintroduced this original edition of Porqueras's Funiculi collection, updating the piece to create a sleek and modern design for contemporary living. Funiculi takes its name from the term funicular, the act of moving up and down, this is demonstrated in the lamp's main design feature of being able to move up and down the central pole to control the light source.

Marset Funicular table lamp includes a rubber rimmed base to protect the surface it is placed on and provide further stability. Funiculi by Marset is available in 2 diffused shade colour options and comprises of a matching wall and floor lamp. This modern reintroduction was made for creating a welcoming atmosphere as well as being suitable for reading and detailed tasks.



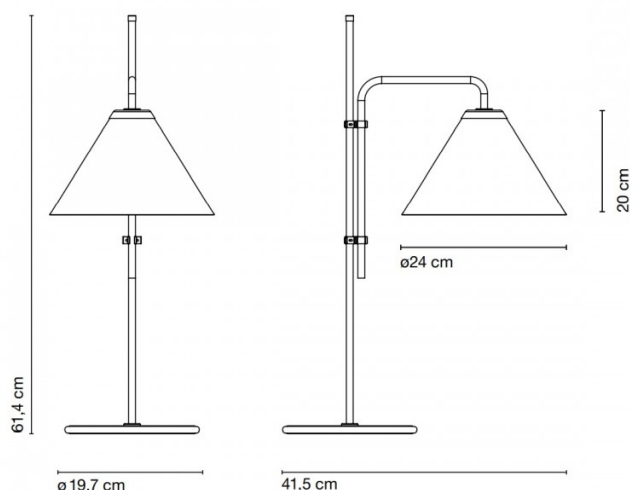
## PRODUCT SPECIFICATION

**Light Source:** 1 x Max 5W E27 LED (excluded)

**IP Code:** 20

**Dimming:** In line on/off switch included on cable.

**Dimensions:** Base: Ø19.7cm  
Height: 61.4cm  
Shade: Ø24cm  
Shade Height: 20cm  
Cable Length: 200cm





**For all sales and technical enquiries, please contact:**

+44 (0)114 263 4266

[info@davidvillagelighting.co.uk](mailto:info@davidvillagelighting.co.uk)

[www.davidvillagelighting.co.uk](http://www.davidvillagelighting.co.uk)